



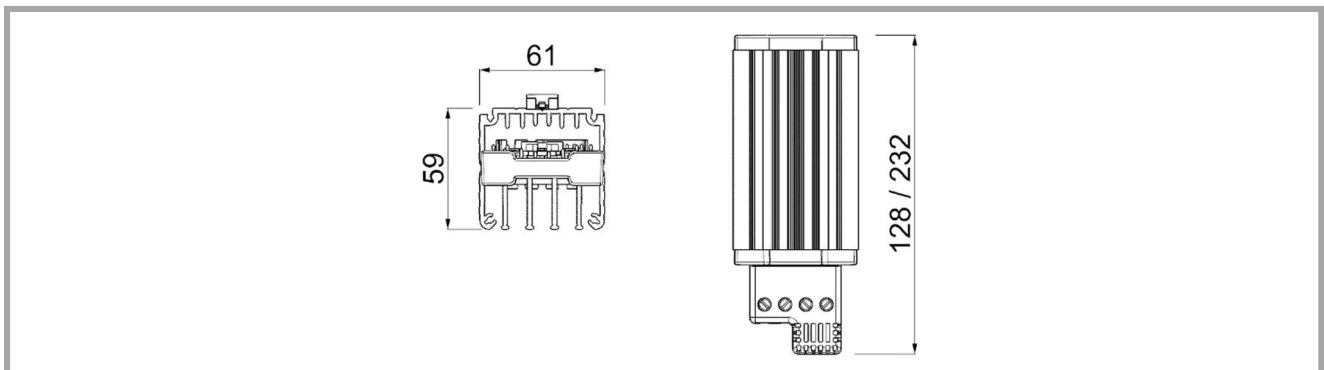
HT.001

**PTC HEATERS, TERMINAL CONNECTION
WITH INTEGRATED THERMOSTAT FIXED SET**



Features	Unit	HT25.001	HT50.001	HT75.001	HT100.001	HT150.001
Heating Capacity*	W	25	50	75	100	150
Power supply	V	120-240V AC or DC				
Switch on / switch off temp.	°C (°F)	+5/+15 (+41/+59)				
Inrush current	A	2.5	3.5	4	5	9.5
Delayed fuse (advised)	A	4	4	6.3	8	10
Heating element type	-	PTC resistor, self-regulation				
Electrical connections	-	screw terminals for stranded or rigid wire 2.5 mm ²				
Protection class	-	Class II				
Protection degree EN60529	-	IP20				
Operating temperature	°C (°F)	-45/+70 (-49/+158)				
Storage temperature	°C (°F)	-45/+80 (-49/+176)				
Radiator	-	Extruded aluminium profile, with plastic cover				
Mounting	-	Clip for mounting on DIN rail 35 mm EN50022				
Installation position	-	Best efficiency in vertical position				
Dimensions HxWxD	mm	128x59x61		152x59x61		232x59x61
Weight (with packaging)	Kg	0.24 (0.28)		0.34 (0.38)		0.57 (0.62)
Conformity/Certification	-	CE				

*at 10°C (50°F) ambient temperature



Specifications, values and drawings are subject to change without notice.