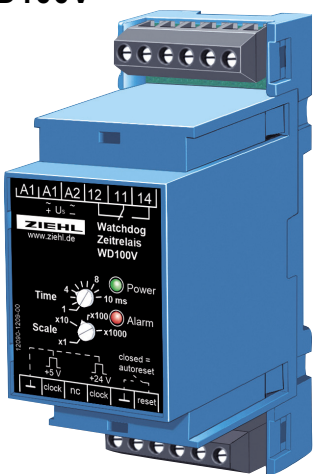


Watchdog Time-Relay Type WD100V

WD100V



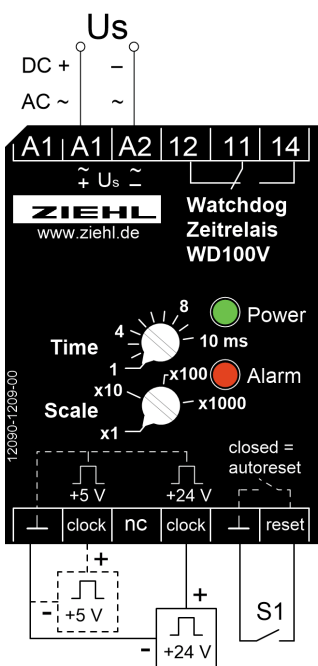
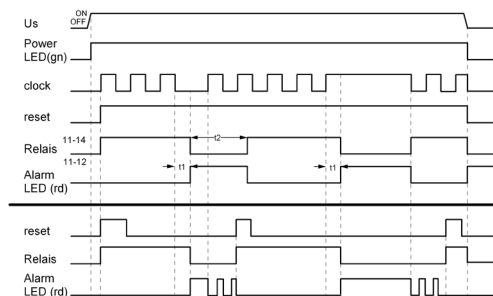
Part number: **Z224319**

In the control technology of today, the number of industrial PCs (IPC) partly with decentralized intelligence constantly increases. Individual processes are controlled independent of each other. In case of failure or malfunction of one component, it can therefore be necessary to switch off the hardware of a complete machine or plant.

Time-Relay WD100V is used to make sure that because of malfunctions in the program flow, caused by short-term voltage interruptions for instance, no undefined status are created. The output signal can be evaluated by a superordinate control or directly switched into the

emergency-stop circuit of the machine.

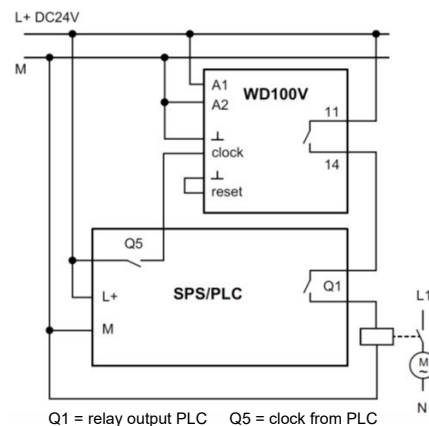
Application:
Monitoring of controls/IPC in packing machines.
Monitoring of application software



Example for application: Release motor

The software of the monitored control (PLC, IPC) makes a clock signal at the output Q5 (DC24V, transistor). The relay of the WD100V picks up only when the input recognizes a clock signal. The time between two slopes has to be shorter than the time set at the WD100V (time x scale). When the clock is missing completely or at a missing slope, the output relay of the WD100V opens contacts 11-14 and the motor is switched off respectively switching on is inhibited. When the square signals recovers and the reset-input is closed or supply-voltage is swit-

ched on, the relay picks up again (not earlier than 500 ms after switching off).



Technical Data

Rated supply voltage U_s	AC/DC 24-240 V, 0/50/60 Hz, <2W, < 3 VA DC 20,4-297 V, AC 20-264 V
Contact elements	1 change-over contact (co)
Contact type	Type 3 see "General technical Informations"
Measuring input clock	app. DC 5/24 V square wave Relay picked up when square wave voltage is fed Relay is released 1-10.000 ms after last slope
Pulse length	0,5 ... 10.000 ms
Input Reset	Button for Reset / bridge = autoreset
Rated ambient temp. range	-32°C...+70°C
Dimensions h x w x d	Design V2: 90 x 35 x 58 [mm]
Weight	approx. 100 g
Attachment	on 35 mm DIN-rail or with screws M4.
Protection housing / terminals	IP 30/ IP 20

Visit TVR Online Shop